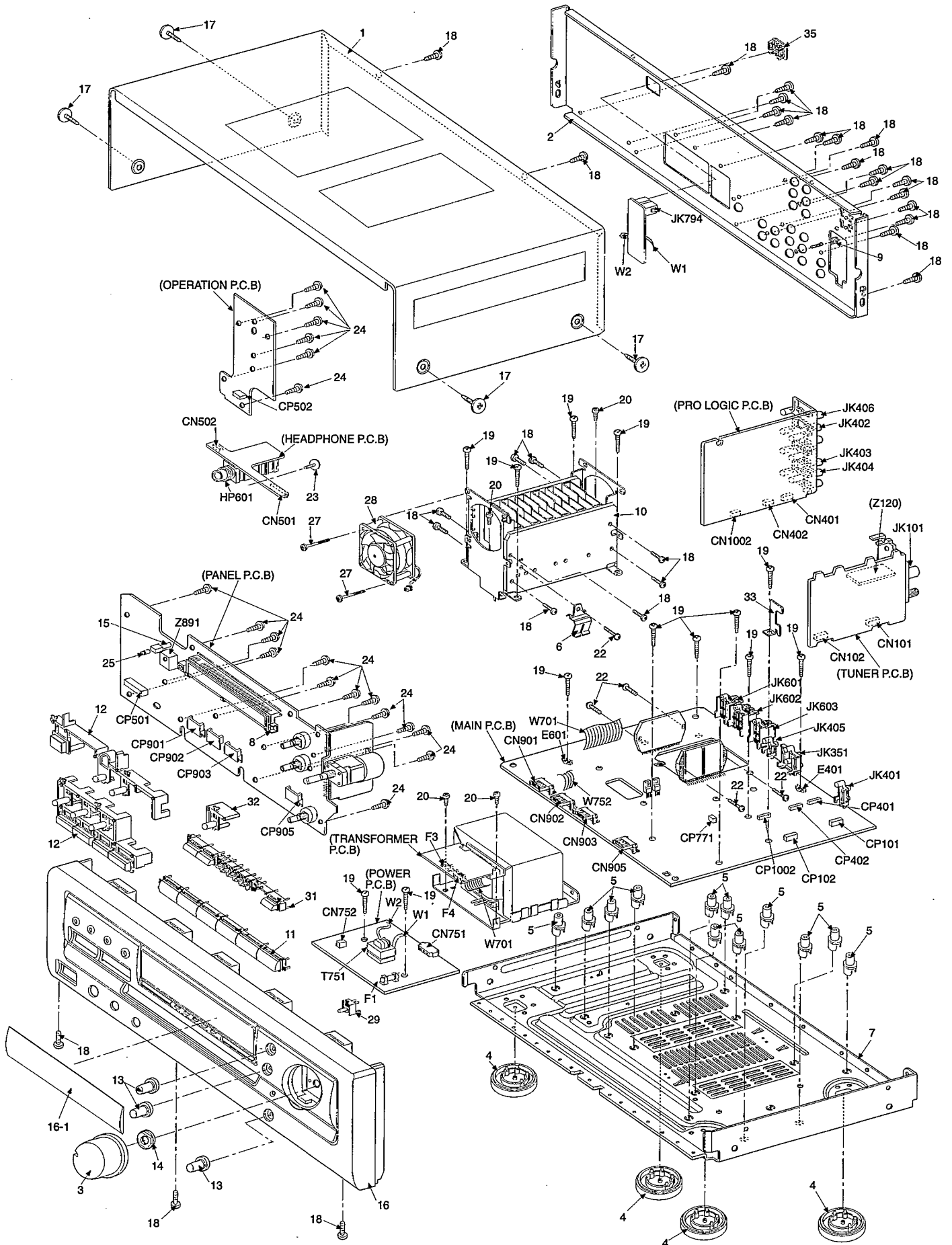


Cabinet Parts Location



Replacement Parts List

Notes: * Important safety notice :

Components identified by Δ mark have special characteristics important for safety.

Furthermore, special parts which have purposes of fire-retardant (resistors), high-quality sound (capacitors), low-noise (resistors), etc. are used. When replacing any of components, be sure to use only manufacturer's specified parts shown in the parts list.

* The parenthesized in the Remarks columns specify the areas. (Refer to the cover page for area.)

Parts without these indication can be used for all areas.

* [M] in Remarks column indicates parts that are supplied by MESA.

* Remote Control Unit : Supply period for three years from terminal of production.

* The "(SF)" mark denotes the standard part.

Ref No.	Part No.	Part Name & Description	Remarks	Ref No.	Part No.	Part Name & Description	Remarks	Ref No.	Part No.	Part Name & Description	Remarks
		CABINET AND CHASSIS				INTEGRATED CIRCUITS					
1	RKM0342-K	TOP CABINET	[M]	IC101	LA1832A	IC, IF/MPX	[M]	Q601	RVTDTA113ZST	TRANSISTOR	[M]
2	RGR0252C-A	REAR PANEL	[M](EG,E)	IC102	LC7218	IC, PLL	[M]	Q602	RVTDTA113ZST	TRANSISTOR	[M]
2	RGR0252C-B	REAR PANEL	[M](EB)	IC351	NJM2279D	IC, VIDEO SELECTOR SW	[M]	Q603	RVTDTA113ZST	TRANSISTOR	[M]
3	RGW0243A-K	VOLUME KNOB	[M]	IC401	TC9163AN	IC, SELECTOR	[M]	Q609	RVTDTA114EST	TRANSISTOR	[M]
4	RKA0079-A	FOOT	[M]	IC402	UPC4570C	IC, TONE CONTROL	[M]	Q610	RVTDTA114EST	TRANSISTOR	[M]
5	RKQ0089-J	PCB HOLDER	[M]	IC451	AN6558F	IC, OP AMP	[M]	Q611	RVTDTA114EST	TRANSISTOR	[M]
6	RMC0158-S	TRANSISTOR HOLDER	[M]	IC501	BA6218	IC, MOTOR DRIVER	[M]	Q651	2SD1915FTA	TRANSISTOR	[M]
7	RMK0350	BOTTOM CHASSIS	[M]	IC511	UPC4570C	IC, TONE CONTROL	[M]	Q681	2SD1915FTA	TRANSISTOR	[M]
8	RMN0372	FL HOLDER	[M]	IC551	UPC4570C	IC, TONE CONTROL	[M]	Q682	2SD1915FTA	TRANSISTOR	[M]
9	SNE2123	EARTH TERMINAL	[M]	IC601	RSN3305-P	IC, HIC	[M] Δ	Q701	2SD2374PQAU	TRANSISTOR	[M] Δ
10	RXX0182	HEAT SINK UNIT	[M]	IC602	RSN3305-P	IC, HIC	[M] Δ	Q703	2SC1740SSTA	TRANSISTOR	[M] Δ
11	RGU1493-K	SELECTOR BUTTON	[M]	IC901	M38B53M4053F	IC, MICOM	[M]	Q704	2SC1740SSTA	TRANSISTOR	[M] Δ
12	RGU1350D-K	MODE BUTTON	[M]	IC902	STK311-010	IC, RDS DECODER	[M]	Q706	2SC3940AQSTA	TRANSISTOR	[M]
13	RGW0216-K	TONE KNOB	[M]	IC1001	LA2786L	IC, DPL	[M]	Q707	2SA1534AQRTA	TRANSISTOR	[M] Δ
14	RHN90001	M9 NUT	[M]	IC1002	LV1016L	IC, SURR DECODER	[M]	Q708	2SB1548PQAU	TRANSISTOR	[M] Δ
15	RMN0450	LED SUPPORT	[M]	IC1003	TC9214P	IC, SELECTOR	[M]	Q751	RVTDTA143XST	TRANSISTOR	[M]
16	RFKGE510EBK	FRONT PANEL ASS'Y	[M]					Q752	2SC3940AQSTA	TRANSISTOR	[M] Δ
16-1	RKW0493B-Q	FL WINDOW	[M]					Q771	2SA933SSTA	TRANSISTOR	[M]
17	SNE2129-1	SCREW (CABINET)	[M]					Q772	2SC1740SSTA	TRANSISTOR	[M]
18	XTBS3+8JFZ1	SCREW	[M]	Q101	2SC2787LTA	TRANSISTOR	[M]	Q773	2SB621AQSTA	TRANSISTOR	[M]
19	XTB3+20JFZ	SCREW	[M]	Q103	2SC2785FETA	TRANSISTOR	[M]	Q774	RVTDTA114EST	TRANSISTOR	[M]
20	XTB3+8FFZ	SCREW	[M]	Q104	2SC2785FETA	TRANSISTOR	[M]	Q775	2SA933SSTA	TRANSISTOR	[M]
22	XTW3+15T	SCREW	[M]	Q106	RVTDTA143XST	TRANSISTOR	[M]	Q776	2SC1740SSTA	TRANSISTOR	[M]
23	RHD26016	SCREW	[M]	Q107	2SC3311ARTA	TRANSISTOR	[M]	Q777	2SA933SSTA	TRANSISTOR	[M]
24	XTBS26+10J	SCREW (FRONT)	[M]	Q108	2SC3311ARTA	TRANSISTOR	[M]	Q778	RVTDTA114TST	TRANSISTOR	[M]
25	RMN0313	LED SUPPORT	[M]	Q351	2SD592AQSTA	TRANSISTOR	[M] Δ	Q779	RVTDTA114TST	TRANSISTOR	[M]
27	XTB3+30J	SCREW	[M]	Q352	2SB621AQSTA	TRANSISTOR	[M] Δ	Q901	RVTDTA114YST	TRANSISTOR	[M]
28	REM0069	FAN UNIT	[M]	Q481	2SD1915FTA	TRANSISTOR	[M]	Q902	2SA933SSTA	TRANSISTOR	[M]
29	RGU1492-K	SLEEP/MUTE BUTTON	[M]	Q505	2SD1915FTA	TRANSISTOR	[M]	Q907	RVTDTA114YST	TRANSISTOR	[M]
31	RGU1352K-K	DOLBY BUTTON	[M]	Q506	2SD1915FTA	TRANSISTOR	[M]	Q909	2SC1740SSTA	TRANSISTOR	[M]
32	RGU1398-Q	HELP BUTTON	[M]	Q551	2SD1915FTA	TRANSISTOR	[M]	Q936	RVTDTA114YST	TRANSISTOR	[M]
33	RMQ0709	TUNER PCB BRACKET	[M]	Q552	2SD1915FTA	TRANSISTOR	[M]	Q937	RVTDTA114YST	TRANSISTOR	[M]
35	SJS9231A	A/C INLET COVER	[M]	Q581	2SA933SSTA	TRANSISTOR	[M]	Q1001	2SC3940AQSTA	TRANSISTOR	[M] Δ
				Q582	2SA933SSTA	TRANSISTOR	[M]			DIODES	
				Q583	2SC1740SSTA	TRANSISTOR	[M]	D101	MTZJ5R1BTA	DIODE	[M]
				Q584	2SC1740SSTA	TRANSISTOR	[M]	D102	MA165TA	DIODE	[M]
				Q585	2SA933SSTA	TRANSISTOR	[M]	D351	MTZJ5R6BTA	DIODE	[M] Δ

Ref No.	Part No.	Part Name & Description	Remarks	Ref No.	Part No.	Part Name & Description	Remarks	Ref No.	Part No.	Part Name & Description	Remarks
D352	MTZJ5R6BTA	DIODE	[M]▲	D907	MA167ATA	DIODE	[M]			CONNECTORS	
D401	MTZJ7R5CTA	DIODE	[M]	D921	RVD1SS133TA	DIODE	[M]				
D583	MTZJ3R0ATA	DIODE	[M]	D923	RVD1SS133TA	DIODE	[M]	CN101	RJU057W007	7P CONNECTOR	[M]
D584	MTZJ3R0ATA	DIODE	[M]	D924	MTZJ3R9ATA	DIODE	[M]	CN102	RJU057W007	7P CONNECTOR	[M]
D601	SB360L6508	DIODE	[M]▲	D925	MA723TA	DIODE	[M]	CN401	RJU100W07	7P CONNECTOR	[M]
D602	SB360L6508	DIODE	[M]▲	D929	LN846RP	DIODE	[M]	CN402	RJU100W07	7P CONNECTOR	[M]
D604	RVD1SS133TA	DIODE	[M]	D930	SLR342DC	DIODE	[M]	CN501	RJU100W07	7P CONNECTOR	[M]
D605	MTZJ6R2BTA	DIODE	[M]	D1001	MTZJ10CTA	DIODE	[M]	CN502	RJU100W04	4P CONNECTOR	[M]
D606	RVD1SS133TA	DIODE	[M]	D1002	MA700ATA	DIODE	[M]	CN751	SJS305-1	3P CONNECTOR	[M]
D607	RVD1SS133TA	DIODE	[M]					CN752	RJS1A6603T1	3 PIN TAPING CONNECT	[M]
D608	RVD1SS133TA	DIODE	[M]			VARIABLE RESISTORS		CN901	RJU003K010M1	10P B/B CONNECTOR	[M]
D651	SB360L6508	DIODE	[M]▲					CN902	RJU003K010M1	10P B/B CONNECTOR	[M]
D652	SB360L6508	DIODE	[M]▲	VR501	EUWMRH026B15	VR, MOTOR	[M]	CN903	RJU003K010M1	10P B/B CONNECTOR	[M]
D654	RVD1SS133TA	DIODE	[M]	VR502	EWCOYAF15G15	VR, BALANCE CONTROL	[M]	CN905	RJU003K010M1	10P B/B CONNECTOR	[M]
D656	RVD1SS133TA	DIODE	[M]	VR511	EW1XA020C15	VR, TONE CONTROL	[M]	CN1002	RJU100W07	7P CONNECTOR	[M]
D657	RVD1SS133TA	DIODE	[M]	VR512	EW1XA020C15	VR, TONE CONTROL	[M]	CP101	RJT057W007-1	7P CONNECTOR	[M]
D658	RVD1SS133TA	DIODE	[M]					CP102	RJT057W007-1	7P CONNECTOR	[M]
D659	RVD1SS133TA	DIODE	[M]			SWITCHES		CP401	RJT100W07	7P CONNECTOR	[M]
D660	RVD1SS133TA	DIODE	[M]					CP402	RJT100W07	7P CONNECTOR	[M]
D701	1N5402BM21	DIODE	[M]▲	S946	EVQ21405R	SW, POWER	[M]	CP501	RJT100W07	7P CONNECTOR	[M]
D702	1N5402BM21	DIODE	[M]▲	S947	EVQ21405R	SW, PHONO	[M]	CP502	RJT100W04	4P CONNECTOR	[M]
D703	1N5402BM21	DIODE	[M]▲	S948	EVQ21405R	SW, MUTING	[M]	CP771	RJP3G4YA	CONNECTOR	[M]
D704	1N5402BM21	DIODE	[M]▲	S950	EVQ21405R	SW, FM MODE	[M]	CP901	RJT003K010M1	10P CONNECTOR	[M]
D705	MTZJ6R2BTA	DIODE	[M]▲	S951	EVQ21405R	SW, BAND	[M]	CP902	RJT003K010M1	10P CONNECTOR	[M]
D707	MTZJ27DTA	DIODE	[M]▲	S952	EVQ21405R	SW, TUNING DOWN	[M]	CP903	RJT003K010M1	10P CONNECTOR	[M]
D708	MTZJ15CTA	DIODE	[M]▲	S953	EVQ21405R	SW, TUNING UP	[M]	CP905	RJT003K010M1	10P CONNECTOR	[M]
D721	1N5402BM21	DIODE	[M]▲	S955	EVQ21405R	SW, MEMORY	[M]	CP1002	RJT100W07	7P CONNECTOR	[M]
D722	1N5402BM21	DIODE	[M]▲	S956	EVQ21405R	SW, CH PRESET DOWN	[M]				
D723	1N5402BM21	DIODE	[M]▲	S957	EVQ21405R	SW, CH PRESET UP	[M]			COILS & TRANSFORMERS	
D724	1N5402BM21	DIODE	[M]▲	S958	EVQ21405R	SW, HELP	[M]				
D725	1N5402BM21	DIODE	[M]▲	S960	EVQ21405R	SW, TUNER	[M]	L101	ELESN1R0MA	CHOKE COIL	[M]
D726	1N5402BM21	DIODE	[M]▲	S961	EVQ21405R	SW, CD	[M]	L103	ELETR47MA9	CHOKE COIL	[M]
D727	1N5402BM21	DIODE	[M]▲	S962	EVQ21405R	SW, TAPE	[M]	L105	RLQZB822KT-D	TAPING COIL	[M]
D728	1N5402BM21	DIODE	[M]▲	S963	EVQ21405R	SW, TV/DVD	[M]	L106	RLQZB822KT-D	TAPING COIL	[M]
D751	1SR35200TB	DIODE	[M]▲	S964	EVQ21405R	SW, VCR	[M]	L151	SLM1B10-1M	A.B. FILTER	[M]
D752	1SR35200TB	DIODE	[M]▲	S970	EVQ21405R	SW, SEARCH	[M]	L191	ELESNR56MA	CHOKE COIL	[M]
D753	1SR35200TB	DIODE	[M]▲	S971	EVQ21405R	SW, EON	[M]	L501	RLQZP1R0KT-Y	AXIAL COIL	[M]
D754	1SR35200TB	DIODE	[M]▲	S972	EVQ21405R	SW, PTY UP	[M]	L502	RLQZP1R0KT-Y	AXIAL COIL	[M]
D755	RVD1SS133TA	DIODE	[M]▲	S973	EVQ21405R	SW, PTY DOWN	[M]	L601	RLQYR73MW-E	CHOKE COIL	[M]
D756	MTZJ6R8BTA	DIODE	[M]▲	S974	EVQ21405R	SW, DISPLAY	[M]	L602	RLQYR73MW-E	CHOKE COIL	[M]
D771	RVD1SS133TA	DIODE	[M]	S980	EVQ21405R	SW, SPEAKER A	[M]	L651	RLQYR73MW-E	CHOKE COIL	[M]
D772	RVD1SS133TA	DIODE	[M]	S981	EVQ21405R	SW, SPEAKER B	[M]	L652	RLQYR73MW-E	CHOKE COIL	[M]
D773	MTZJ9R1CTA	DIODE	[M]	S983	EVQ21405R	SW, OFF/ON	[M]	L751	RLQB101KTA-Y	CHOKE COIL	[M]
D774	RVD1SS133TA	DIODE	[M]	S984	EVQ21405R	SW, PRO LOGIC	[M]	L791	SLQZ650MH49	AC LINE COIL	[M]▲
D781	RVD1SS133TA	DIODE	[M]	S985	EVQ21405R	SW, CENTER MODE	[M]	L901	RLQB101KTA-Y	CHOKE COIL	[M]
D782	RVD1SS133TA	DIODE	[M]					L902	RLQZP101KT-Y	AXIAL COIL	[M]
D901	1SS291TA	DIODE	[M]					L1051	RLQB101KTA-Y	CHOKE COIL	[M]
D903	MTZJ4R7BTA	DIODE	[M]					T701	RTP1P5B009-V	POWER TRANSFORMER	[M]▲

Ref No.	Part No.	Part Name & Description	Remarks	Ref No.	Part No.	Part Name & Description	Remarks	Ref No.	Part No.	Part Name & Description	Remarks
T751	RTP115E006	POWER TRANSFORMER	[M]△			FUSE CLIPS				EARTH TERMINALS	
		COMPONENT COMBINATION		FC701	EYF52BC	FUSE HOLDER	[M]	E401	SNE1004-2	EARTH TERMINAL	[M]
				FC702	EYF52BC	FUSE HOLDER	[M]	E601	SNE1004-2	EARTH TERMINAL	[M]
Z101	RLA2Z002M-T	AM ANT. COIL	[M]	FC705	EYF52BC	FUSE HOLDER	[M]			WIRES	
Z102	RLI2Z006M-T	AM IFT	[M]	FC706	EYF52BC	FUSE HOLDER	[M]				
Z120	ENV17290G1R	FM TUNER PACK	[M](EG)	FC707	EYF52BC	FUSE HOLDER	[M]				
Z120	ENV17290G1Y	FM TUNER PACK	[M](EB,E)	FC708	EYF52BC	FUSE HOLDER	[M]	W1	REE0814	WIRE	[M]
Z751	ERZV10V511CS	ZNR	[M]△			JACKS		W2	REE0818	WIRE	[M]
Z891	RCDSPS4242N	REMOTE SENSOR	[M]					W551	REZ0997	WIRE UNIT	[M]
		CERAMIC FILTERS						W701	RWJ1812220KK	WIRE UNIT	[M]
				JK101	RJH4202	JK, ANT TERMINAL	[M]	W752	RWJ1803290CQ	WIRE	[M]
				JK351	SJF3069-3N	JK, RCA PIN	[M]			PACKING MATERIALS	
CF201	RLFFETNGD01L	CERAMIC CAPACITOR	[M]	JK401	SJF3068-7N	JK, RCA TERMINAL	[M]				
CF202	RLFFETMGD01L	CERAMIC FILTER	[M]	JK402	SJF3069N	JK, LINE IN	[M]	P1	SPSD152	ACCESSORY BOX	[M]
CF901	RVBCST4R00MT	CERAMIC OSCILLATOR	[M]	JK403	SJF3068-7N	JK, RCA TERMINAL	[M]	P2	RPF0005	MIRAMAT BAG	[M]
CF902	RSXZ456KM07M	CERAMIC OSCILLATOR	[M]	JK404	SJF3069N	JK, LINE IN	[M]	P3	RP3464	PACKING CASE	[M](E)
CF1051	EF0EC8004T4	CERAMIC OSCILLATOR	[M]	JK405	SJF07	JK, FM MULTI OUT	[M]	P3	RP3536	PACKING CASE	[M](EB,EG)
		OSCILLATORS		JK406	SJF3068-7N	JK, RCA TERMINAL	[M]	P4	RPN0966	POLYFOAM	[M]
				JK601	RJR0054	JK, SP TERMINAL	[M]			ACCESSORIES	
X101	RSXZ456KM07M	CERAMIC OSCILLATOR	[M]	JK602	RJH5601	JK, SP TERMINAL	[M]				
X102	RLFDGTD01L	FM REZONATOR	[M]	JK603	RJR0054	JK, SP TERMINAL	[M]	A1	EUR644377	REMOTE CONTROL	[M]
X103	SVQ49U722T-S	CRYSTAL 7.2MHZ	[M]	JK794	SJS9231-1B	JK, AC INLET	[M]△	A1-1	UR64EC1822	BATTERY COVER	[M]
		DISPLAY TUBE				RELAYS		A2	RSA0010	LOOP ANT UNIT	[M]
								A3	RJA0019-2K	AC CORD (SF)△	[M](EG,E)
FL901	RSL0233-F	FL	[M]	RL601	RSY0013M-0	RELAY	[M]	A3	VJA0733	AC CORD (SF)△	[M](EB)
		FUSES		RL602	RSY0013M-0	RELAY	[M]	A4	RSA0007	FM ANTENA	[M]
				RL603	RSY0013M-0	RELAY	[M]	A5	RFKSEX510EBK	INSTR. MANUAL ASS'Y	[M](EB)
F1	XBA2C25TB0	FUSE	[M]△	RL751	RSY0019M-0	12V TV-5 RELAY	[M]△	A5	RFKSEX510EGK	INSTR. MANUAL ASS'Y	[M](EG)
F3	XBA2C63TB0	FUSE	[M]△			HEADPHONE		A5	RFKSEX510E-K	INSTR. MANUAL ASS'Y	[M](E)
F4	XBA2C63TB0	FUSE	[M]△					A6	SJP9009	ANT ADAPTER	[M](EB)
				HP601	RJJ63TS01	HEADPHONES JACK	[M]				

Resistors & Capacitors

Notes : * Important safety notice:

Components identified by △ mark have special characteristics important for safety.

Furthermore, special parts which have purposes of fire-retardant (resistors), high-quality sound (capacitors), low-noise (resistors), etc. are used.

When replacing any of components, be sure to use only manufacturer's specified parts shown in the parts list.

* Capacitor values are in microfarad (μF) unless specified otherwise, P=Pico-farads (pF) F=Farads (F)

* Resistors values are in ohms, unless specified otherwise, 1k=1,000(OHM), 1M=1,000k(OHM)

Ref No.	Part No.	Values & Remarks	Ref No.	Part No.	Values & Remarks	Ref No.	Part No.	Values & Remarks	Ref No.	Part No.	Values & Remarks
		RESISTORS									
			R107	ERDS2TJ471T	470 1/4W [M]	R116	ERDS2TJ102T	1K 1/4W [M]	R122	ERDS2TJ272T	2.7K 1/4W [M]
			R110	ERDS2TJ102T	1K 1/4W [M]	R117	ERDS2TJ473T	47K 1/4W [M]	R124	ERDS2TJ271T	270 1/4W [M]
R103	ERDS2TJ101T	100 1/4W [M]	R112	ERDS2TJ104T	100K 1/4W [M]	R118	ERDS2TJ562T	5.6K 1/4W [M]	R125	ERDS2TJ472T	4.7K 1/4W [M]
R104	ERDS2TJ102T	1K 1/4W [M]	R113	ERDS2TJ103T	10K 1/4W [M]	R119	ERDS2TJ183T	18K 1/4W [M]	R126	ERDS2TJ472T	4.7K 1/4W [M]
R105	ERDS2TJ471T	470 1/4W [M]	R114	ERDS2TJ562T	5.6K 1/4W [M]	R120	ERDS2TJ473T	47K 1/4W [M]	R127	ERDS2TJ103T	10K 1/4W [M]
R106	ERDS2TJ224T	220K 1/4W [M]	R115	ERDS2TJ561T	560 1/4W [M]	R121	ERDS2TJ332T	3.3K 1/4W [M]	R128	ERDS2TJ820T	82 1/4W [M]

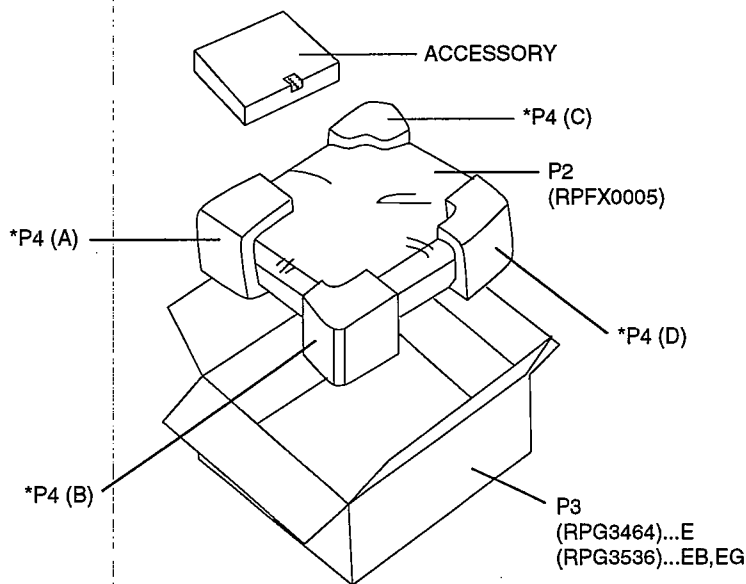
Ref No.	Part No.	Values & Remarks	Ref No.	Part No.	Values & Remarks	Ref No.	Part No.	Values & Remarks	Ref No.	Part No.	Values & Remarks
R129	ERDS2TJ473T	47K 1/4W [M]	R413	ERDS2TJ102T	1K 1/4W [M]	R503	ERDS2TJ103T	10K 1/4W [M]	R583	ERDS2TJ102T	1K 1/4W [M]
R130	ERDS2TJ102T	1K 1/4W [M]	R414	ERDS2TJ102T	1K 1/4W [M]	R504	ERDS2TJ103T	10K 1/4W [M]	R584	ERDS2TJ102T	1K 1/4W [M]
R131	ERDS2TJ102T	1K 1/4W [M]	R415	ERDS2TJ102T	1K 1/4W [M]	R505	ERDS2TJ103T	10K 1/4W [M]	R585	ERDS2TJ102T	1K 1/4W [M]
R132	ERDS2TJ103T	10K 1/4W [M]	R416	ERDS2TJ102T	1K 1/4W [M]	R506	ERDS2TJ103T	10K 1/4W [M]	R586	ERDS2TJ102T	1K 1/4W [M]
R133	ERDS2TJ102T	1K 1/4W [M]	R417	ERDS2TJ473T	47K 1/4W [M]	R508	ERDS1FVJ2R2T	2.2 1/2W[M]▲	R587	ERDS2TJ102T	1K 1/4W [M]
R134	ERDS2TJ102T	1K 1/4W [M]	R418	ERDS2TJ473T	47K 1/4W [M]	R511	ERDS2TJ471T	470 1/4W [M]	R588	ERDS2TJ102T	1K 1/4W [M]
R135	ERDS2TJ102T	1K 1/4W [M]	R419	ERDS2TJ104T	100K 1/4W [M]	R512	ERDS2TJ471T	470 1/4W [M]	R589	ERDS2TJ272T	2.7K 1/4W [M]
R136	ERDS2TJ102T	1K 1/4W [M]	R420	ERDS2TJ104T	100K 1/4W [M]	R513	ERDS2TJ474T	470K 1/4W [M]	R590	ERDS2TJ473T	47K 1/4W [M]
R137	ERDS2TJ102T	1K 1/4W [M]	R421	ERDS2TJ104T	100K 1/4W [M]	R514	ERDS2TJ474T	470K 1/4W [M]	R591	ERDS2TJ222T	2.2K 1/4W [M]
R139	ERDS2TJ272T	2.7K 1/4W [M]	R422	ERDS2TJ104T	100K 1/4W [M]	R515	ERDS2TJ474T	470K 1/4W [M]	R592	ERDS2TJ222T	2.2K 1/4W [M]
R140	ERDS2TJ272T	2.7K 1/4W [M]	R423	ERDS2TJ102T	1K 1/4W [M]	R516	ERDS2TJ474T	470K 1/4W [M]	R596	ERDS2TJ102T	1K 1/4W [M]
R141	ERDS2TJ102T	1K 1/4W [M]	R424	ERDS2TJ102T	1K 1/4W [M]	R517	ERDS2TJ332T	3.3K 1/4W [M]	R597	ERDS2TJ272T	2.7K 1/4W [M]
R142	ERDS2TJ102T	1K 1/4W [M]	R425	ERDS2TJ103T	10K 1/4W [M]	R518	ERDS2TJ332T	3.3K 1/4W [M]	R598	ERDS2TJ272T	2.7K 1/4W [M]
R143	ERDS2TJ222T	2.2K 1/4W [M]	R426	ERDS2TJ103T	10K 1/4W [M]	R519	ERDS2TJ182T	1.8K 1/4W [M]	R599	ERDS2TJ102T	1K 1/4W [M]
R144	ERDS2TJ222T	2.2K 1/4W [M]	R427	ERDS2TJ103T	10K 1/4W [M]	R520	ERDS2TJ182T	1.8K 1/4W [M]	R601	ERDS2TJ102T	1K 1/4W [M]
R145	ERDS2TJ102T	1K 1/4W[M](EB,E)	R433	ERDS2TJ102T	1K 1/4W [M]	R521	ERDS2TJ223T	22K 1/4W [M]	R602	ERDS2TJ102T	1K 1/4W [M]
R145	ERDS2TJ561T	560 1/4W[M](EG)	R434	ERDS2TJ102T	1K 1/4W [M]	R522	ERDS2TJ223T	22K 1/4W [M]	R603	ERDS2TJ563T	56K 1/4W [M]
R146	ERDS2TJ102T	1K 1/4W[M](EB,E)	R440	ERDS1FVJ560T	56 1/2W[M]▲	R523	ERDS2TJ392T	3.9K 1/4W [M]	R604	ERDS2TJ563T	56K 1/4W [M]
R146	ERDS2TJ561T	560 1/4W[M](EG)	R441	ERDS2TJ473T	47K 1/4W [M]	R524	ERDS2TJ392T	3.9K 1/4W [M]	R605	ERDS2TJ182T	1.8K 1/4W [M]
R147	ERDS2TJ474T	470K 1/4W [M]	R442	ERDS2TJ473T	47K 1/4W [M]	R525	ERDS2TJ222T	2.2K 1/4W [M]	R606	ERDS2TJ182T	1.8K 1/4W [M]
R148	ERDS2TJ474T	470K 1/4W [M]	R443	ERDS1FVJ560T	56 1/2W[M]▲	R526	ERDS2TJ222T	2.2K 1/4W [M]	R607	ERDS2TJ563T	56K 1/4W [M]
R149	ERDS2TJ680T	68 1/4W [M]	R451	ERDS2TJ224T	220K 1/4W [M]	R527	ERDS2TJ122T	1.2K 1/4W [M]	R608	ERDS2TJ563T	56K 1/4W [M]
R171	ERDS2TJ102T	1K 1/4W [M]	R452	ERDS2TJ224T	220K 1/4W [M]	R528	ERDS2TJ122T	1.2K 1/4W [M]	R609	ERDS2TJ470T	47 1/4W [M]
R172	ERDS2TJ102T	1K 1/4W [M]	R453	ERDS2TJ391T	390 1/4W [M]	R529	ERDS2TJ273T	27K 1/4W [M]	R610	ERDS2TJ470T	47 1/4W [M]
R173	ERDS2TJ471T	470 1/4W [M]	R454	ERDS2TJ391T	390 1/4W [M]	R530	ERDS2TJ273T	27K 1/4W [M]	R611	ERDS1FVJ100T	10 1/2W [M]
R175	ERDS2TJ102T	1K 1/4W [M]	R455	ERDS2TJ563T	56K 1/4W [M]	R531	ERDS2TJ332T	3.3K 1/4W [M]	R612	ERDS1FVJ100T	10 1/2W [M]
R176	ERDS2TJ391T	390 1/4W [M]	R456	ERDS2TJ563T	56K 1/4W [M]	R532	ERDS2TJ332T	3.3K 1/4W [M]	R613	ERDS2TJ102T	1K 1/4W [M]
R181	ERDS2TJ332T	3.3K 1/4W [M]	R457	ERDS2TJ271T	270 1/4W [M]	R533	ERDS2TJ224T	220K 1/4W [M]	R614	ERDS2TJ102T	1K 1/4W [M]
R351	ERDS2TJ750T	75 1/4W [M]	R458	ERDS2TJ271T	270 1/4W [M]	R534	ERDS2TJ224T	220K 1/4W [M]	R615	ERDS2TJ184T	180K 1/4W [M]
R352	ERDS2TJ750T	75 1/4W [M]	R459	ERDS2TJ680T	68 1/4W [M]	R537	ERDS2TJ103T	10K 1/4W [M]	R616	ERDS2TJ154T	150K 1/4W [M]
R353	ERDS2TJ103T	10K 1/4W [M]	R460	ERDS2TJ680T	68 1/4W [M]	R538	ERDS2TJ103T	10K 1/4W [M]	R617	ERDS2TJ473T	47K 1/4W [M]
R354	ERDS2TJ103T	10K 1/4W [M]	R461	ERDS2TJ184T	180K 1/4W [M]	R539	ERDS2TJ332T	3.3K 1/4W [M]	R618	ERDS2TJ473T	47K 1/4W [M]
R355	ERDS2TJ750T	75 1/4W [M]	R462	ERDS2TJ184T	180K 1/4W [M]	R540	ERDS2TJ332T	3.3K 1/4W [M]	R619	ERDS2TJ223T	22K 1/4W [M]
R356	ERDS2TJ750T	75 1/4W [M]	R463	ERDS2TJ123T	12K 1/4W [M]	R541	ERDS2TJ182T	1.8K 1/4W [M]	R620	ERD25FVJ220T	22 1/4W [M]
R357	ERDS2TJ102T	1K 1/4W [M]	R464	ERDS2TJ123T	12K 1/4W [M]	R542	ERDS2TJ182T	1.8K 1/4W [M]	R621	ERDS2TJ332T	3.3K 1/4W [M]
R358	ERDS2TJ102T	1K 1/4W [M]	R465	ERDS2TJ563T	56K 1/4W [M]	R543	ERDS2TJ102T	1K 1/4W [M]	R622	ERDS2TJ334T	330K 1/4W [M]
R359	ERDS2TJ182T	1.8K 1/4W [M]	R466	ERDS2TJ563T	56K 1/4W [M]	R544	ERDS2TJ102T	1K 1/4W [M]	R623	ERDS2TJ684T	680K 1/4W [M]
R360	ERDS2TJ182T	1.8K 1/4W [M]	R469	ERDS2TJ102T	1K 1/4W [M]	R545	ERDS2TJ684T	680K 1/4W [M]	R624	ERDS2TJ154T	150K 1/4W [M]
R361	ERD2FCVG220T	22 1/4W [M]	R470	ERDS2TJ102T	1K 1/4W [M]	R546	ERDS2TJ103T	10K 1/4W [M]	R625	ERDS2TJ154T	150K 1/4W [M]
R362	ERD2FCVG220T	22 1/4W [M]	R481	ERDS2TJ333T	33K 1/4W [M]	R550	ERDS2TJ332T	3.3K 1/4W [M]	R626	ERD25FVJ330T	33 1/4W[M]▲
R401	ERDS2TJ102T	1K 1/4W [M]	R482	ERDS2TJ333T	33K 1/4W [M]	R551	ERDS2TJ102T	1K 1/4W [M]	R627	ERDS2TJ101T	100 1/4W [M]
R402	ERDS2TJ102T	1K 1/4W [M]	R483	ERDS2TJ183T	18K 1/4W [M]	R552	ERDS2TJ102T	1K 1/4W [M]	R628	ERD25FVJ330T	33 1/4W[M]▲
R405	ERDS2TJ102T	1K 1/4W [M]	R484	ERDS2TJ681T	680 1/4W [M]	R553	ERDS2TJ104T	100K 1/4W [M]	R629	ERD25FVJ390T	39 1/4W[M]▲
R406	ERDS2TJ102T	1K 1/4W [M]	R485	ERDS2TJ224T	220K 1/4W [M]	R554	ERDS2TJ104T	100K 1/4W [M]	R630	ERD25FVJ390T	39 1/4W[M]▲
R407	ERDS2TJ102T	1K 1/4W [M]	R486	ERDS2TJ102T	1K 1/4W [M]	R555	ERDS2TJ223T	22K 1/4W [M]	R631	ERDS2TJ274T	270K 1/4W [M]
R408	ERDS2TJ102T	1K 1/4W [M]	R487	ERDS2TJ472T	4.7K 1/4W [M]	R556	ERDS2TJ223T	22K 1/4W [M]	R632	ERDS2TJ223T	22K 1/4W [M]
R411	ERDS2TJ102T	1K 1/4W [M]	R501	ERDS2TJ222T	2.2K 1/4W [M]	R557	ERDS2TJ681T	680 1/4W [M]	R637	ERG1SJ101E	100 1W[M]▲
R412	ERDS2TJ102T	1K 1/4W [M]	R502	ERDS2TJ222T	2.2K 1/4W [M]	R558	ERDS2TJ681T	680 1/4W [M]	R638	ERG1SJ101E	100 1W[M]▲

Ref No.	Part No.	Values & Remarks	Ref No.	Part No.	Values & Remarks	Ref No.	Part No.	Values & Remarks	Ref No.	Part No.	Values & Remarks
R639	ERG1SJ101E	100 1W[M]▲	R690	ERDS2TJ270T	27 1/4W [M]	R793	ERDS2TJ223T	22K 1/4W [M]	R971	ERDS2TJ122T	1.2K 1/4W [M]
R640	ERG1SJ101E	100 1W[M]▲	R691	ERDS2TJ270T	27 1/4W [M]	R794	ERDS2TJ223T	22K 1/4W [M]	R972	ERDS2TJ152T	1.5K 1/4W [M]
R642	ERDS2TJ104T	100K 1/4W [M]	R692	ERDS2TJ270T	27 1/4W [M]	R795	ERDS2TJ223T	22K 1/4W [M]	R973	ERDS2TJ182T	1.8K 1/4W [M]
R643	ERDS2TJ683T	68K 1/4W [M]	R693	ERDS2TJ270T	27 1/4W [M]	R796	ERDS2TJ223T	22K 1/4W [M]	R974	ERDS2TJ222T	2.2K 1/4W [M]
R644	ERDS2TJ682T	6.8K 1/4W [M]	R694	ERDS2TJ270T	27 1/4W [M]	R797	ERDS2TJ682T	6.8K 1/4W [M]	R975	ERDS2TJ332T	3.3K 1/4W [M]
R645	ERDS2TJ682T	6.8K 1/4W [M]	R695	ERDS2TJ102T	1K 1/4W [M]	R799	ERDS2TJ682T	6.8K 1/4W [M]	R980	ERDS2TJ102T	1K 1/4W [M]
R646	ERDS2TJ682T	6.8K 1/4W [M]	R696	ERDS2TJ102T	1K 1/4W [M]	R901	ERDS2TJ102T	1K 1/4W [M]	R981	ERDS2TJ122T	1.2K 1/4W [M]
R647	ERDS2TJ221T	220 1/4W [M]	R697	ERDS2TJ221T	220 1/4W [M]	R906	ERDS2TJ104T	100K 1/4W [M]	R982	ERDS2TJ152T	1.5K 1/4W [M]
R648	ERDS2TJ221T	220 1/4W [M]	R698	ERDS2TJ221T	220 1/4W [M]	R907	ERDS2TJ104T	100K 1/4W [M]	R983	ERDS2TJ182T	1.8K 1/4W [M]
R651	ERDS2TJ102T	1K 1/4W [M]	R699	ERDS2TJ332T	3.3K 1/4W [M]	R908	ERDS2TJ104T	100K 1/4W [M]	R984	ERDS2TJ222T	2.2K 1/4W [M]
R652	ERDS2TJ102T	1K 1/4W [M]	R703	ERDS1FVJ3R9T	3.9 1/2W[M]▲	R909	ERDS2TJ104T	100K 1/4W [M]	R1001	ERDS2TJ102T	1K 1/4W [M]
R653	ERDS2TJ563T	56K 1/4W [M]	R704	ERDS1FVJ3R9T	3.9 1/2W[M]▲	R910	ERDS2TJ102T	1K 1/4W [M]	R1002	ERDS2TJ102T	1K 1/4W [M]
R654	ERDS2TJ563T	56K 1/4W [M]	R705	ERDS2TJ472T	4.7K 1/4W [M]	R911	ERDS2TJ104T	100K 1/4W [M]	R1003	ERDS2TJ102T	1K 1/4W [M]
R655	ERDS2TJ182T	1.8K 1/4W [M]	R706	ERDS2TJ102T	1K 1/4W [M]	R913	ERDS2TJ104T	100K 1/4W [M]	R1004	ERDS2TJ102T	1K 1/4W [M]
R656	ERDS2TJ182T	1.8K 1/4W [M]	R707	ERD25FVJ221T	220 1/4W[M]▲	R917	ERDS2TJ103T	10K 1/4W [M]	R1005	ERDS2TJ203T	20K 1/4W [M]
R657	ERDS2TJ563T	56K 1/4W [M]	R708	ERDS2TJ152T	1.5K 1/4W [M]	R920	ERDS2TJ271T	270 1/4W [M]	R1007	ERDS2TJ473T	47K 1/4W [M]
R658	ERDS2TJ563T	56K 1/4W [M]	R709	ERDS2TJ1R5T	1.5 1/4W [M]	R921	ERDS2TJ121T	120 1/4W [M]	R1008	ERDS2TJ473T	47K 1/4W [M]
R659	ERDS2TJ470T	47 1/4W [M]	R710	ERDS2TJ1R5T	1.5 1/4W [M]	R922	ERDS2TJ472T	4.7K 1/4W [M]	R1009	ERDS2TJ332T	3.3K 1/4W [M]
R660	ERDS2TJ470T	47 1/4W [M]	R711	ERDS2TJ752T	7.5K 1/4W [M]	R924	ERDS2TJ333T	33K 1/4W [M]	R1010	ERDS2TJ332T	3.3K 1/4W [M]
R661	ERDS1FVJ100T	10 1/2W [M]	R712	ERDS2TJ682T	6.8K 1/4W [M]	R927	ERDS2TJ181T	180 1/4W [M]	R1011	ERDS2TJ332T	3.3K 1/4W [M]
R662	ERDS1FVJ100T	10 1/2W [M]	R713	ERDS2TJ390T	39 1/4W [M]	R928	ERDS2TJ121T	120 1/4W [M]	R1012	ERDS2TJ102T	1K 1/4W [M]
R663	ERDS2TJ102T	1K 1/4W [M]	R714	ERDS2TJ390T	39 1/4W [M]	R929	ERDS2TJ101T	100 1/4W [M]	R1013	ERDS2TJ103T	10K 1/4W [M]
R664	ERDS2TJ102T	1K 1/4W [M]	R721	ERD2FCVG331T	330 1/4W[M]▲	R930	ERDS2TJ101T	100 1/4W [M]	R1014	ERDS2TJ104T	100K 1/4W [M]
R665	ERDS2TJ154T	150K 1/4W [M]	R722	ERDS2TJ123T	12K 1/4W [M]	R936	ERDS2TJ104T	100K 1/4W [M]	R1051	ERDS2TJ393T	39K 1/4W [M]
R666	ERDS2TJ184T	180K 1/4W [M]	R723	ERDS1FVJ3R9T	3.9 1/2W[M]▲	R937	ERDS2TJ104T	100K 1/4W [M]	R1052	ERDS2TJ105T	1M 1/4W [M]
R667	ERDS2TJ473T	47K 1/4W [M]	R724	ERDS1FVJ3R9T	3.9 1/2W[M]▲	R941	ERDS2TJ472T	4.7K 1/4W [M]	R1053	ERDS2TJ102T	1K 1/4W [M]
R668	ERDS2TJ473T	47K 1/4W [M]	R725	ERDS2TJ821T	820 1/4W [M]	R943	ERDS2TJ102T	1K 1/4W [M]	R1055	ERDS2TJ224T	220K 1/4W [M]
R669	ERDS2TJ223T	22K 1/4W [M]	R726	ERD25FVJ101T	100 1/4W[M]▲	R944	ERDS2TJ104T	100K 1/4W [M]	R1056	ERDS2TJ153T	15K 1/4W [M]
R670	ERD25FVJ220T	22 1/4W [M]	R727	ERD25FVJ101T	100 1/4W[M]▲	R945	ERDS2TJ104T	100K 1/4W [M]	R1061	ERDS2TJ222T	2.2K 1/4W [M]
R671	ERDS2TJ332T	3.3K 1/4W [M]	R729	ERDS2TJ684T	680K 1/4W [M]	R946	ERDS2TJ103T	10K 1/4W [M]	R1062	ERDS2TJ273T	27K 1/4W [M]
R672	ERDS2TJ334T	330K 1/4W [M]	R730	ERDS1FVJ5R6T	5.6 1/2W[M]▲	R947	ERDS2TJ103T	10K 1/4W [M]	R1063	ERDS2TJ332T	3.3K 1/4W [M]
R673	ERDS2TJ684T	680K 1/4W [M]	R754	ERDS2TJ102T	1K 1/4W [M]	R948	ERDS2TJ103T	10K 1/4W [M]			
R674	ERDS2TJ154T	150K 1/4W [M]	R771	ERDS2TJ473T	47K 1/4W [M]	R949	ERDS2TJ103T	10K 1/4W [M]			CAPACITORS
R675	ERDS2TJ154T	150K 1/4W [M]	R772	ERDS2TJ473T	47K 1/4W [M]	R950	ERDS2TJ102T	1K 1/4W [M]			
R676	ERDS2TJ274T	270K 1/4W [M]	R773	ERDS2TJ103T	10K 1/4W [M]	R951	ERDS2TJ122T	1.2K 1/4W [M]	C101	ECBT1C103NS5	0.01 16V [M]
R677	ERDS2TJ101T	100 1/4W [M]	R774	ERDS2TJ335T	3.3M 1/4W [M]	R952	ERDS2TJ152T	1.5K 1/4W [M]	C103	ECBT1C103NS5	0.01 16V [M]
R678	ERD25FVJ330T	33 1/4W[M]▲	R775	ERDS2TJ331T	330 1/4W [M]	R953	ERDS2TJ182T	1.8K 1/4W [M]	C104	ECBT1H102KB5	1000P 50V [M]
R679	ERD25FVJ390T	39 1/4W[M]▲	R776	ERDS1FVJ4R7T	4.7 1/2W[M]▲	R954	ERDS2TJ222T	2.2K 1/4W [M]	C105	ECBT1H470J5	47P 50V [M]
R680	ERD25FVJ390T	39 1/4W[M]▲	R777	ERDS2TJ224T	220K 1/4W [M]	R955	ERDS2TJ332T	3.3K 1/4W [M]	C106	ECBT1C103NS5	0.01 16V [M]
R681	ERDS2TJ270T	27 1/4W [M]	R778	ERDS2TJ472T	4.7K 1/4W [M]	R956	ERDS2TJ472T	4.7K 1/4W [M]	C107	ECBT1H473ZF5	0.047 50V [M]
R682	ERDS2TJ270T	27 1/4W [M]	R779	ERDS2TJ103T	10K 1/4W [M]	R957	ERDS2TJ682T	6.8K 1/4W [M]	C108	ECBT1H8R2KC5	8.2P 50V [M]
R683	ERDS2TJ270T	27 1/4W [M]	R782	ERDS2TJ470T	47 1/4W [M]	R958	ERDS2TJ123T	12K 1/4W [M]	C109	ECBT1C103NS5	0.01 16V [M]
R684	ERDS2TJ270T	27 1/4W [M]	R783	ERDS2TJ103T	10K 1/4W [M]	R960	ERDS2TJ102T	1K 1/4W [M]	C110	ECBT1C103NS5	0.01 16V [M]
R685	ERDS2TJ270T	27 1/4W [M]	R784	ERDS2TJ154T	150K 1/4W [M]	R961	ERDS2TJ122T	1.2K 1/4W [M]	C111	ECEA1EKA4R7B	4.7 25V [M]
R686	ERDS2TJ270T	27 1/4W [M]	R785	ERDS2TJ103T	10K 1/4W [M]	R962	ERDS2TJ152T	1.5K 1/4W [M]	C112	ECBT1C103NS5	0.01 16V [M]
R687	ERDS2TJ270T	27 1/4W [M]	R786	ERDS2TJ154T	150K 1/4W [M]	R963	ERDS2TJ182T	1.8K 1/4W [M]	C113	ECBT1H102KB5	1000P 50V [M]
R688	ERDS2TJ270T	27 1/4W [M]	R791	ERDS2TJ223T	22K 1/4W [M]	R964	ERDS2TJ222T	2.2K 1/4W [M]	C114	ECEA1HKA3R3B	3.3 50V [M]
R689	ERDS2TJ270T	27 1/4W [M]	R792	ERDS2TJ223T	22K 1/4W [M]	R970	ERDS2TJ102T	1K 1/4W [M]	C115	ECEA1EKA4R7B	4.7 25V [M]

Ref No.	Part No.	Values & Remarks	Ref No.	Part No.	Values & Remarks	Ref No.	Part No.	Values & Remarks	Ref No.	Part No.	Values & Remarks
C116	ECBT1C822MS5	8200P 16V [M]	C357	ECA1AM470B	47 10V [M]	C466	ECBT1E103ZF5	0.01 25V [M]	C560	ECEA1CKA100B	10 16V [M]
C117	ECQB1H471JM3	470P 50V [M]	C358	ECA1AM470B	47 10V [M]	C469	ECBT1H181KB5	180P 50V [M]	C583	ECA1AM470B	47 10V [M]
C118	ECQB1H103JM3	0.01 50V [M]	C359	ECBT1E103ZF5	0.01 25V [M]	C470	ECBT1H181KB5	180P 50V [M]	C584	ECA1AM470B	47 10V [M]
C119	ECQB1H103JM3	0.01 50V [M]	C360	ECBT1E103ZF5	0.01 25V [M]	C480	ECBT1E103ZF5	0.01 25V [M]	C601	ECEA1HN3R3SB	3.3 50V [M]
C120	ECEA1HKA010B	1 50V [M]	C401	ECEA1VKA4R7B	4.7 35V[M]△	C481	ECEA1HN010SB	1 50V [M]	C602	ECEA1HN3R3SB	3.3 50V [M]
C121	ECEA1HKA010B	1 50V [M]	C402	ECEA1VKA4R7B	4.7 35V[M]△	C482	ECEA1VU4R7B	4.7 35V [M]	C603	ECBT1H681KB5	680P 50V [M]
C122	ECEA1HKA2R2B	2.2 50V [M]	C403	ECBT1E103ZF5	0.01 25V [M]	C483	ECBT1H101KB5	100P 50V [M]	C604	ECBT1H681KB5	680P 50V [M]
C123	ECEA1HKA010B	1 50V [M]	C404	ECBT1E103ZF5	0.01 25V [M]	C503	ECEA0JKA101B	100 6.3V [M]	C605	ECEA1JU220B	22 63V [M]
C124	ECBT1H102KB5	1000P 50V [M]	C405	ECBT1H101KB5	100P 50V [M]	C504	ECEA0JKA101B	100 6.3V [M]	C606	ECEA1JU220B	22 63V [M]
C125	ECBT1H150JC5	15P 50V [M]	C406	ECBT1H101KB5	100P 50V [M]	C505	ECFR1C104MR	0.1 16V [M]	C607	ECCR1H100K5	10P 50V [M]
C126	ECBT1H104ZF5	0.1 50V [M]	C409	ECA1EM220B	22 25V[M]△	C506	ECFR1C104MR	0.1 16V [M]	C608	ECCR1H100K5	10P 50V [M]
C127	ECEA1CKA220B	22 16V [M]	C410	ECA1EM220B	22 25V[M]△	C511	ECEA1HKA3R3B	3.3 50V [M]	C609	ECBT1H221KB5	220P 50V [M]
C128	ECBT1C103NS5	0.01 16V [M]	C411	ECBT1H101KB5	100P 50V [M]	C512	ECEA1HKA3R3B	3.3 50V [M]	C610	ECBT1H221KB5	220P 50V [M]
C129	ECEA0JKA101B	100 6.3V [M]	C412	ECBT1H101KB5	100P 50V [M]	C513	ECBT1H150J5	15P 50V [M]	C611	ECQV1H104JM3	0.1 50V [M]
C130	ECEA0JKA101B	100 6.3V [M]	C413	ECA1CM100B	10 16V [M]	C514	ECBT1H150J5	15P 50V [M]	C612	ECQV1H104JM3	0.1 50V [M]
C131	ECBT1C103NS5	0.01 16V [M]	C414	ECA1CM100B	10 16V [M]	C515	ECBT1H221KB5	220P 50V [M]	C613	ECBT1H681KB5	680P 50V [M]
C132	ECBT1H102KB5	1000P 50V [M]	C415	ECBT1E103ZF5	0.01 25V [M]	C516	ECBT1H221KB5	220P 50V [M]	C614	ECBT1H681KB5	680P 50V [M]
C133	ECBT1H150JC5	15P 50V [M]	C416	ECBT1E103ZF5	0.01 25V [M]	C517	ECBT1H330J5	33P 50V [M]	C615	ECA1JM330B	33 6.3V [M]
C134	ECBT1H180JC5	18P 50V [M]	C417	ECBT1H101KB5	100P 50V [M]	C518	ECBT1H330J5	33P 50V [M]	C616	ECEA2AU100B	10 100V [M]
C135	ECBT1C103MS5	0.01 16V [M]	C418	ECBT1H101KB5	100P 50V [M]	C519	ECEA1VKA4R7B	4.7 35V [M]	C617	ECEA1JU220B	22 63V [M]
C136	ECBT1C103MS5	0.01 16V [M]	C419	ECBT1H331KB5	330P 50V [M]	C520	ECEA1VKA4R7B	4.7 35V [M]	C618	ECEA2AN2R2SB	2.2 100V [M]
C137	ECBT1H561KB5	560P 50V [M]	C420	ECBT1H331KB5	330P 50V [M]	C521	ECEA1VKA4R7B	4.7 35V [M]	C619	ECBT1H102KB5	1000P 50V [M]
C138	ECBT1H561KB5	560P 50V [M]	C421	ECBT1H331KB5	330P 50V [M]	C522	ECEA1VKA4R7B	4.7 35V [M]	C621	ECEA2AU100B	10 100V [M]
C139	ECQB1H682JM3	6800P 50V [M]	C422	ECBT1H331KB5	330P 50V [M]	C523	ECFR1E123KR	0.012 25V [M]	C622	ECEA2AU100B	10 100V [M]
C140	ECQB1H682JM3	6800P 50V [M]	C423	ECBT1H101KB5	100P 50V [M]	C524	ECFR1E123KR	0.012 25V [M]	C631	ECKR1H223ZF5	0.022 50V [M]
C141	ECEA1HKA010B	1 50V [M]	C424	ECBT1H101KB5	100P 50V [M]	C525	ECQV1H683JM3	0.068 50V [M]	C632	ECKR1H223ZF5	0.022 50V [M]
C142	ECEA1HKA010B	1 50V [M]	C425	ECBT1H101KB5	100P 50V [M]	C526	ECQV1H683JM3	0.068 50V [M]	C633	ECKR1H223ZF5	0.022 50V [M]
C143	ECEA1HKA010B	1 50V [M]	C426	ECBT1H101KB5	100P 50V [M]	C527	ECBT1C562KR5	5600P 16V [M]	C634	ECKR1H223ZF5	0.022 50V [M]
C144	ECEA1HKA010B	1 50V [M]	C427	ECBT1H221KB5	220P 50V [M]	C528	ECBT1C562KR5	5600P 16V [M]	C635	ECKR1H223ZF5	0.022 50V [M]
C145	ECBT1H220JC5	22P 50V [M]	C428	ECBT1H221KB5	220P 50V [M]	C529	ECQB1H273JM3	0.027 50V [M]	C636	ECKR1H223ZF5	0.022 50V [M]
C146	ECBT1H331KB5	330P 50V [M]	C431	ECA1CM100B	10 16V [M]	C530	ECQB1H273JM3	0.027 50V [M]	C637	ECKR1H223ZF5	0.022 50V [M]
C147	ECBT1H102KB5	1000P 50V [M]	C432	ECA1CM100B	10 16V [M]	C531	ECBT1E103ZF5	0.01 25V [M]	C638	ECKR1H223ZF5	0.022 50V [M]
C148	ECBT1C103NS5	0.01 16V [M]	C440	ECBT1E103ZF5	0.01 25V [M]	C532	ECBT1E103ZF5	0.01 25V [M]	C641	ECKR1H102ZF5	1000P 50V [M]
C149	ECBT1C103NS5	0.01 16V [M]	C451	ECEA1VU4R7B	4.7 35V [M]	C533	ECEA1CKA100B	10 16V [M]	C642	ECKR1H102ZF5	1000P 50V [M]
C150	ECBT1H104ZF5	0.1 50V [M]	C452	ECEA1VU4R7B	4.7 35V [M]	C534	ECEA1CKA100B	10 16V [M]	C643	ECBT1H470J5	47P 50V [M]
C172	ECBT1H331KB5	330P 50V [M]	C453	ECBT1H100JC5	10P 50V [M]	C535	ECBT1H104ZF5	0.1 50V [M]	C651	ECEA1HN3R3SB	3.3 50V [M]
C173	ECEA1CKA220B	22 16V [M]	C454	ECBT1H100JC5	10P 50V [M]	C536	ECBT1E103ZF5	0.01 25V [M]	C652	ECEA1HN3R3SB	3.3 50V [M]
C174	ECEA1CKA101B	100 16V [M]	C455	ECBT1H102KB5	1000P 50V [M]	C537	ECA1CM100B	10 16V [M]	C653	ECBT1H681KB5	680P 50V [M]
C175	ECBT1C103NS5	0.01 16V [M]	C456	ECBT1H102KB5	1000P 50V [M]	C538	ECA1CM100B	10 16V [M]	C654	ECBT1H681KB5	680P 50V [M]
C176	ECBT1C103NS5	0.01 16V [M]	C457	ECEA1AU330B	33 10V [M]	C551	ECEA1HKA3R3B	3.3 50V [M]	C655	ECEA1JU220B	22 63V [M]
C181	ECBT1H471KB5	470P 50V [M]	C458	ECEA1AU330B	33 10V [M]	C552	ECEA1HKA3R3B	3.3 50V [M]	C656	ECEA1JU220B	22 63V [M]
C196	ECBT1H102KB5	1000P 50V [M]	C459	ECFR1E223KR	0.022 25V [M]	C553	ECBT1H101KB5	100P 50V [M]	C657	ECCR1H100K5	10P 50V [M]
C351	ECA1CM220B	22 16V [M]	C460	ECFR1E223KR	0.022 25V [M]	C554	ECBT1H101KB5	100P 50V [M]	C658	ECCR1H100K5	10P 50V [M]
C352	ECA1CM220B	22 16V [M]	C461	ECFR1E682KR	6800P 25V [M]	C555	ECBT1H221KB5	220P 50V [M]	C659	ECBT1H221KB5	220P 50V [M]
C353	ECBT1H470J5	47P 50V [M]	C462	ECFR1E682KR	6800P 25V [M]	C556	ECBT1H221KB5	220P 50V [M]	C660	ECBT1H221KB5	220P 50V [M]
C354	ECBT1H470J5	47P 50V [M]	C463	ECEA1VU4R7B	4.7 35V [M]	C557	ECBT1E103ZF5	0.01 25V [M]	C663	ECBT1H681KB5	680P 50V [M]
C355	ECBT1E103ZF5	0.01 25V [M]	C464	ECEA1VU4R7B	4.7 35V [M]	C558	ECBT1E103ZF5	0.01 25V [M]	C664	ECBT1H681KB5	680P 50V [M]
C356	ECBT1E103ZF5	0.01 25V [M]	C465	ECBT1E103ZF5	0.01 25V [M]	C559	ECEA1CKA100B	10 16V [M]	C665	ECA1JM330B	33 6.3V [M]

Ref No	Part No.	Values & Remarks	Ref No.	Part No.	Values & Remarks	Ref No.	Part No.	Values & Remarks	Ref No.	Part No.	Values & Remarks
C666	ECEA2AU100B	10 100V [M]	C755	ECEA1CKA470B	47 16V[M]▲	C949	ECBT1H101KB5	100P 50V [M]	C1028	ECEA1HKAR47B	0.47 50V [M]
C667	ECEA1JU220B	22 63V [M]	C757	ECEA1CKA100B	10 16V[M]▲	C955	ECBT1H101KB5	100P 50V [M]	C1029	ECEA1HKA4R7B	4.7 50V [M]
C668	ECEA2AN2R2SB	2.2 100V [M]	C758	ECA1AM101B	100 10V [M]	C956	ECBT1H101KB5	100P 50V [M]	C1030	ECEA1HKAR47B	0.47 50V [M]
C669	ECBT1H102KB5	1000P 50V [M]	C771	ECA1HM4R7B	4.7 50V [M]	C1001	ECEA1HKA010B	1 50V [M]	C1031	ECQV1H104JM3	0.1 50V [M]
C671	ECEA2AU100B	10 100V [M]	C772	ECA1HM4R7B	4.7 50V [M]	C1002	ECEA1HKA010B	1 50V [M]	C1032	ECQV1H104JM3	0.1 50V [M]
C672	ECEA2AU100B	10 100V [M]	C773	ECBT1E223ZF5	0.022 25V [M]	C1003	ECEA1HKA3R3B	3.3 50V [M]	C1033	ECEA0JKA470B	47 6.3V [M]
C681	ECEA1HN100SB	10 50V [M]	C774	ECA0JM101B	01 6.3V [M]	C1004	ECEA1HKA3R3B	3.3 50V [M]	C1034	ECQV1H474JM3	0.47 50V [M]
C682	ECEA1HN100SB	10 50V [M]	C775	ECFR1E223KR	0.022 25V [M]	C1005	ECEA1HKA010B	1 50V [M]	C1035	ECBT1H681KB5	680P 50V [M]
C683	ECBT1C332KR5	3300P 16V [M]	C901	ECA0JM102B	02 6.3V[M]▲	C1007	ECFR1E223KR	0.022 25V [M]	C1036	ECBT1H101KB5	100P 50V [M]
C684	ECBT1C332KR5	3300P 16V [M]	C902	ECBT1H104ZF5	0.1 50V [M]	C1008	ECFR1E473KR	0.047 25V [M]	C1037	ECBT1H101KB5	100P 50V [M]
C685	ECBT1E103ZF5	0.01 25V [M]	C903	ECBT1E103ZF5	0.01 25V [M]	C1009	ECA0JM221B	220 6.3V[M](EB)	C1038	ECBT1H101KB5	100P 50V [M]
C701	ECBT1E103ZF5	0.01 25V [M]	C904	ECA0JM102B	02 6.3V[M]▲	C1009	ECEA0JU221B	220 6.3V[M](EG,E)	C1039	ECEA1CU101B	100 16V [M]
C702	ECQE2104KF3	0.1 250V [M]	C906	ECEA0JKA101B	100 6.3V[M]▲	C1010	ECEA1CKA100B	10 16V [M]	C1040	ECEA1CKA100B	10 16V[M]▲
C703	EC0S1JP682CB	6800P 63V[M]▲	C908	ECBT1E103ZF5	0.01 25V [M]	C1011	ECEA1CKA100B	10 16V [M]	C1041	ECBT1E103ZF5	0.01 25V [M]
C704	EC0S1JP682CB	6800P 63V[M]▲	C909	ECEA1VKA220B	22 35V[M]▲	C1012	ECEA1CKA100B	10 16V [M]	C1051	ECEA1HKA2R2B	2.2 50V [M]
C705	EC0S1VP562BB	5600P 35V[M]▲	C910	ECEA1VKA220B	22 35V[M]▲	C1013	ECEA1CKA100B	10 16V [M]	C1052	ECEA1HKAR33B	0.33 50V [M]
C706	EC0S1VP562BB	5600P 35V[M]▲	C911	ECEA1VKA220B	22 35V[M]▲	C1014	ECA0JM221B	220 6.3V[M](EB)	C1053	ECEA1HKA3R3B	3.3 50V [M]
C707	ECA1VM101B	100 35V[M]▲	C912	ECEA1VKA220B	22 35V[M]▲	C1014	ECEA0JU221B	220 6.3V[M](EG,E)	C1054	ECA0JM221B	220 6.3V[M](EB)
C708	ECKR1H103ZF5	0.01 50V [M]	C913	ECEA1VKA100B	10 35V [M]	C1015	ECQV1H104JM3	0.1 50V [M]	C1054	ECEA0JU221B	220 6.3V[M](EG,E)
C709	ECA1CM330B	33 16V [M]	C914	ECEA1VKA100B	10 35V[M]▲	C1016	ECQV1H104JM3	0.1 50V [M]	C1055	ECEA1HKAR47B	0.47 50V [M]
C710	ECBT1E103ZF5	0.01 25V [M]	C916	ECEA1HKA010B	1 50V [M]	C1017	ECEA1HKAR47B	0.47 50V [M]	C1056	ECFR1E823KR	0.082 25V [M]
C711	ECKR1H103ZF5	0.01 50V [M]	C917	ECEA1HKAR47B	0.47 50V [M]	C1018	ECEA1HKA4R7B	4.7 50V [M]	C1057	ECFR1E332KR	3300P 25V [M]
C712	ECA1HM100B	10 50V[M]▲	C918	ECEA0JKA221B	220 6.3V [M]	C1019	ECEA1HKAR47B	0.47 50V [M]	C1058	ECFR1E823KR	0.082 25V [M]
C713	ECBT1E103ZF5	0.01 25V [M]	C919	ECBT1E103ZF5	0.01 25V [M]	C1020	ECEA1HKA4R7B	4.7 50V [M]	C1059	ECEA1CKA101B	100 16V [M]
C714	ECA1EM470B	47 25V[M]▲	C920	ECEA1HKA010B	1 50V [M]	C1021	ECEA1HKAR15B	0.15 50V [M]	C1060	ECBT1E223ZF5	0.022 25V [M]
C715	ECEA1CU101B	100 16V [M]	C932	ECBT1H101KB5	100P 50V [M]	C1022	ECEA1HKA3R3B	3.3 50V [M]	C1062	ECBT1E223ZF5	0.022 25V [M]
C721	ECQE2104KF3	0.1 250V [M]	C933	ECBT1H101KB5	100P 50V [M]	C1023	ECQV1H154JM3	0.15 50V [M]	C1063	ECEA1CKA101B	100 16V [M]
C751	ECKWRS102MBC	1000P 400V[M]▲	C934	ECBT1H101KB5	100P 50V [M]	C1024	ECEA1HKA3R3B	3.3 50V [M]	C1064	ECEA1HKA010B	1 50V [M]
C752	ECKR1H103ZF5	0.01 50V [M]	C937	ECBT1H101KB5	100P 50V [M]	C1025	ECQV1H154JM3	0.15 50V [M]	C1065	ECBT1H681KB5	680P 50V [M]
C753	ECA1EM102EV	1000 25V[M]▲	C941	ECBT1H101KB5	100P 50V [M]	C1026	ECEA1HKAR15B	0.15 50V [M]	C1067	ECBT1C152KR5	1500P 16V [M]
C754	ECBT1E103ZF5	0.01 25V [M]	C948	ECBT1H101KB5	100P 50V [M]	C1027	ECEA1HKA4R7B	4.7 50V [M]	C1068	ECBT1C152KR5	1500P 16V [M]

■ Packaging (Refer to page 44 for the Parts List.)



ACCESSORY

P1 (SPSD152)	: ACCESSORY BOX
A1 (EUR644377)	: REMOTE CONTROL UNIT
A2 (RSA0010)	: AM LOOP ANT
A3 (RJA0019-2K)...E,EG	: AC CORD
A3 (VJA0733)...EB	: AC CORD
A4 (RSA0007)	: FM ANTENNA
A5 (RFKSEX510E-K)...E	: INSTR. MANUAL ASS'Y
A5 (RFKSEX510EBK)...EB	: INSTR. MANUAL ASS'Y
A5 (RFKSEX510EGK)...EG	: INSTR. MANUAL ASS'Y
A6 (SJP9009)...EB	: ANT ADAPTER

P4 (RPN0966) — P4 (A)
P4 (B)
P4 (C)
P4 (D)

MESA Printed in Singapore
G970808000 J/N/S/K/L